



CAP Solution

Low Price Quality CAP Solution In Stock. JASN is a CAP Solution manufacturer and supplier in China. We have been specialized in for CAP Solution.

Model:JX2012C01

JASN is a leading China CAP Solution manufacturer, supplier and exporter. Adhering to the pursuit of perfect quality of products, so that our CAP Solution have been satisfied by many customers. Extreme design, quality raw materials, high performance and competitive price are what every customer wants, and that's also what we can offer you. Of course, also essential is our perfect after-sales service.

CAP Solution

Feature

High common mode impedance at high frequency effects excellent noise suppression performance

Comply with RoHS requirements.

Operating temperature range:-40℃ to +125℃.

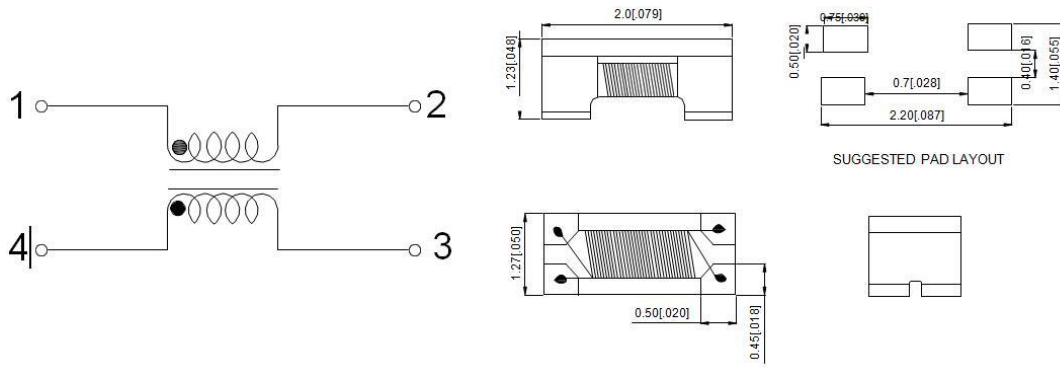
Storage temperature range: -40℃ to +125℃.

Electrical Specifications @ 25℃

Common Mode Impedance	800±25% (Ω)@100MHZ
D.C.R:	0.88 Typ
Rated Current:	300mA
Rated Volt:	50Vdc
Withstand Volt:	125Vdc Max
IR	10MΩ Min

Schematic

Mechanical



1. Unit: mm[inch]

2. Unless otherwise specified, all tolerances are $\pm 0.20[.008]$

Common Mode Impedance

